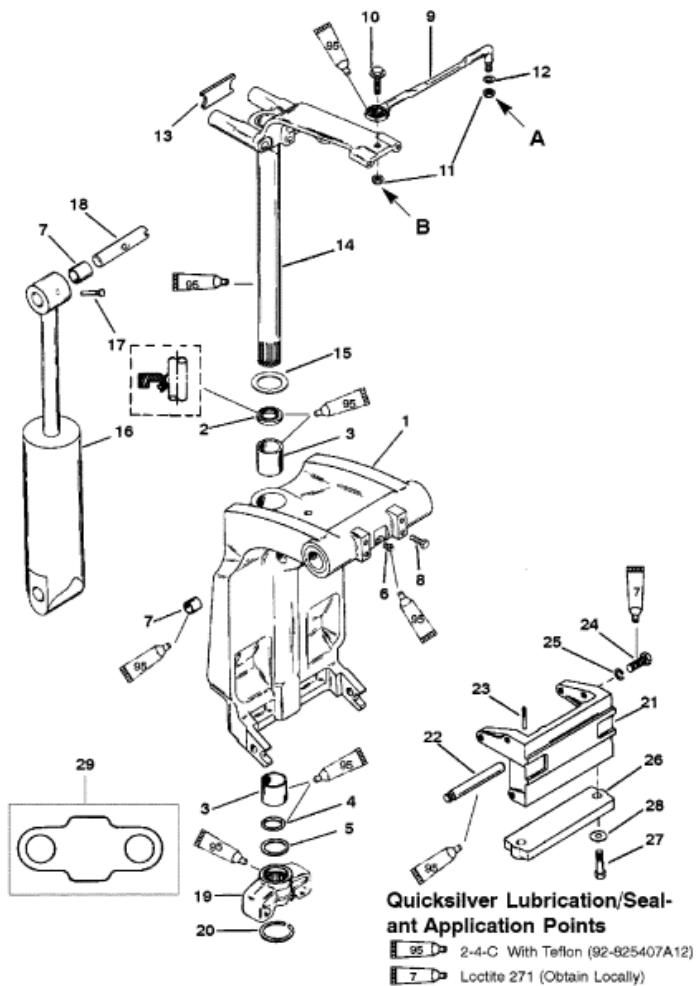


Parts List



A - TORQUE NUT TO 120 LB. IN. (13.5 N·M); THEN BACK OFF 1/4 TURN.
B - TORQUE NUT TO 20 LB. FT. (27.1 N·M).

| Ref | Class | Part | Description | Qty | Comment | Footnote |
|-----|-------|-----------|--------------------------|-----|------------------------------|----------|
| 1 | 1499 | 8710A20 | SWIVEL BRACKET | 1 | (BLACK) NON-POWER TRIM | |
| 1 | 1499 | 8710A21 | SWIVEL BRACKET | 1 | (GRAY) NON-POWER TRIM | |
| 1 | 3408 | 818904A 1 | SWIVEL BRACKET | 1 | (BLACK) MANUAL TILT ASSIST/F | |
| 1 | 3408 | 818904A 2 | SWIVEL BRACKET | 1 | (GRAY) MANUAL TILT ASSIST/F | |
| 1 | 3408 | 818904A 3 | SWIVEL BRACKET | 1 | (TRACKER-GRAPHITE GRAY) M | |
| 2 | 26 | 87735 | OIL SEAL (LOWER) | 1 | | |
| 3 | 23 | 818764 | BUSHING | 2 | | |
| 4 | 25 | 33504 | O-RING | 1 | | |
| 5 | 23 | 816039 | SPACER | 1 | | |
| 6 | 22 | 74036 | GREASE FITTING | 2 | | |
| 7 | 23 | 821207 | BUSHING | 2 | | |
| 8 | 10 | 64014 | SCREW (1/4-28 X 1/2) | 2 | | |
| 9 | | 92876A 1 | STEERING LINK ASSEMBLY | 1 | | |
| 10 | 10 | 14000 | SCREW (3/8 X 24 X 1-1/8) | 1 | | |
| 11 | 11 | 34863 | NUT | 2 | | |
| 12 | 12 | 34931 | WASHER | 2 | | |
| 13 | | 88882 1 | BUMPER-TOP YOKE | 1 | (X-LONG/LL) | |
| 14 | | 99661A26 | SWIVEL PIN/STEERING ARM | 1 | (BLACK) | |
| 14 | | 99661A27 | SWIVEL PIN/STEERING ARM | 1 | (GRAY) | |
| 14 | | 99661A28 | SWIVEL PIN/STEERING ARM | 1 | (TRACKER-GRAPHITE GRAY) | |
| 15 | 12 | 816432 | THRUST WASHER | 1 | | |
| 16 | 55 | 99724A 2 | SHOCK | 1 | (BLACK) NO STAMPING | |
| 16 | 55 | 99724A 3 | SHOCK | 1 | (GRAY) NO STAMPING | |
| 16 | 55 | 99724A15 | SHOCK | 1 | (BLACK) STAMPED A12 OR A17 | |
| 16 | 55 | 99724A16 | SHOCK | 1 | (GRAY) STAMPED A12 OR A17 | |
| 17 | 17 | 821539 | GROOVE PIN | 1 | | |
| 18 | | 99625 1 | SHAFT (UPPER) | 1 | | |
| 19 | | 42961A 1 | BOTTOM YOKE | 1 | (BLACK) | |
| 19 | | 42961A 2 | BOTTOM YOKE | 1 | (GRAY) | |
| 19 | | 42961A 4 | BOTTOM YOKE | 1 | (TRACKER-GRAPHITE GRAY) | |
| 20 | 53 | 67684 | RETAINING RING | 1 | | |
| 21 | | 99653 | BRACKET | 1 | NON POWER TRIM | |
| 22 | | 99619 | SHAFT (LOWER) | 1 | NON POWER TRIM | |
| 23 | 17 | 821539 | GROOVE PIN | 1 | NON POWER TRIM | |
| 24 | 10 | 40003 77 | SCREW (M10 X 1.5 X 30) | 6 | NON POWER TRIM | |
| 25 | 12 | 40023 19 | WASHER | 6 | NON POWER TRIM | |
| 25 | 13 | 40025 6 | LOCKWASHER | 6 | (JET) NON POWER TRIM | |
| 26 | | 818298A 1 | ANODE ASSEMBLY | 1 | | |
| 27 | 10 | 40003 30 | SCREW (M6 X 1 X 25) | 2 | | |
| 28 | 12 | 29245 | WASHER | 2 | | |
| 29 | | 11388 | BUMPER-BOTTOM YOKE | 1 | (X-LONG/LL) | |